

# SPEAKER WALL MOUNT

## MK-W-95

SET OF **1 PC**



### Features

- Unique tilting mechanism , plus left or right swivel
- Generous Cable Management Hole: for easy cable routing and connection
- Heavy-Duty Steel Construction: supports the speaker strongly and safely
- Color: Black

### Technical Data

Speaker Hole Dimension	1/4"
Max. weight	2 kg
Max. VESA	-
Distance from the wall	86.5 mm
Tilt	+90°~-50°
Swivel	+60°~-60°
Rotation	-

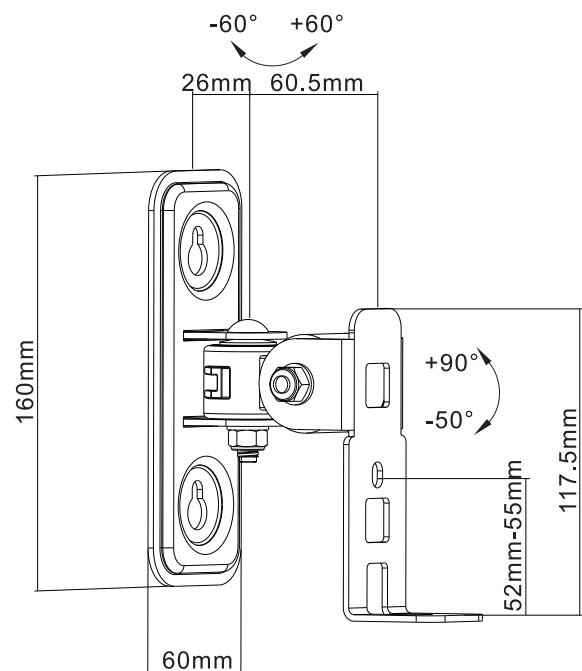
### Items Delivered

- 1x Speaker Wall Mount MK-95
- 1x Installation Material
- 1x Manual

### Logistics Information

Package size (L/W/H)	39x33.5x27.5 cm
Packaging unit (PU)	20
PU size	-
Weight (net) / PU	12 kg
Weight (gross) / PU	14.95 kg
EAN	4250580139737

### Technical Drawing



SET OF **1 PC**

MK-W-95



2 kg



+90°~-50°



+60°~-60°



86.5 mm